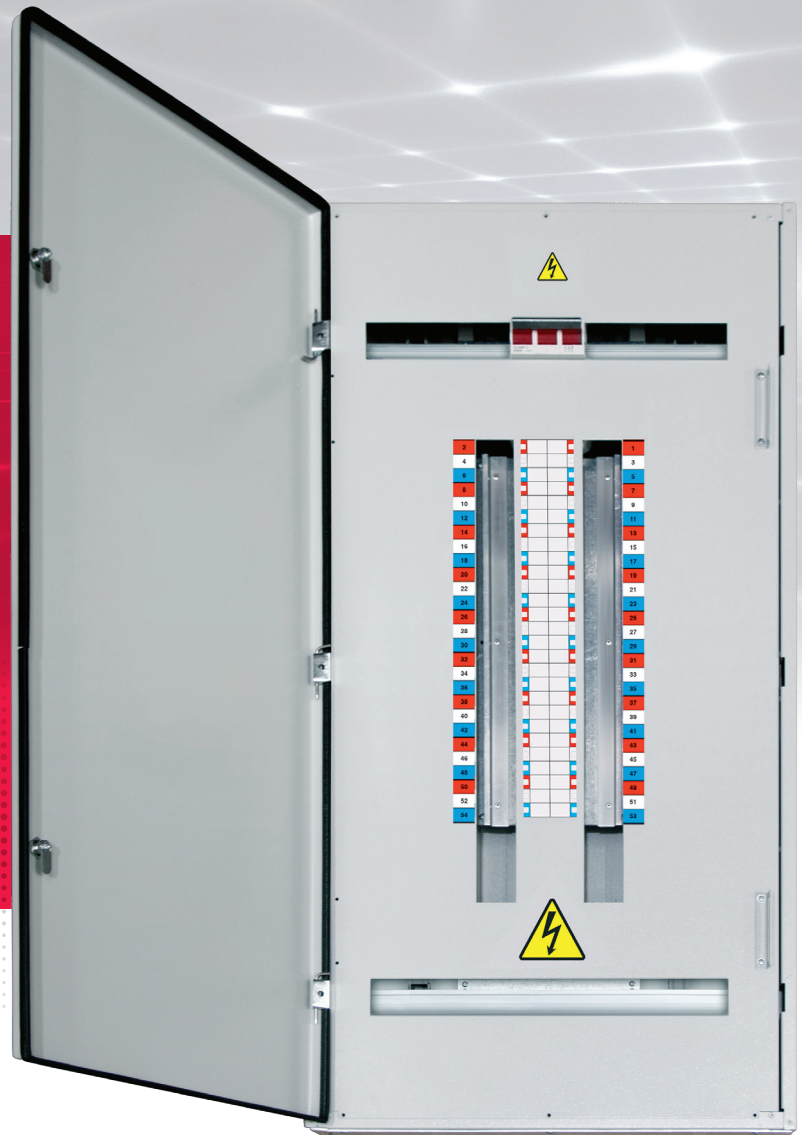


# DEFENDER S

**RELIABLE,  
MODULAR &  
EFFICIENT**

3-PHASE IP42  
DISTRIBUTION BOARD 250 A

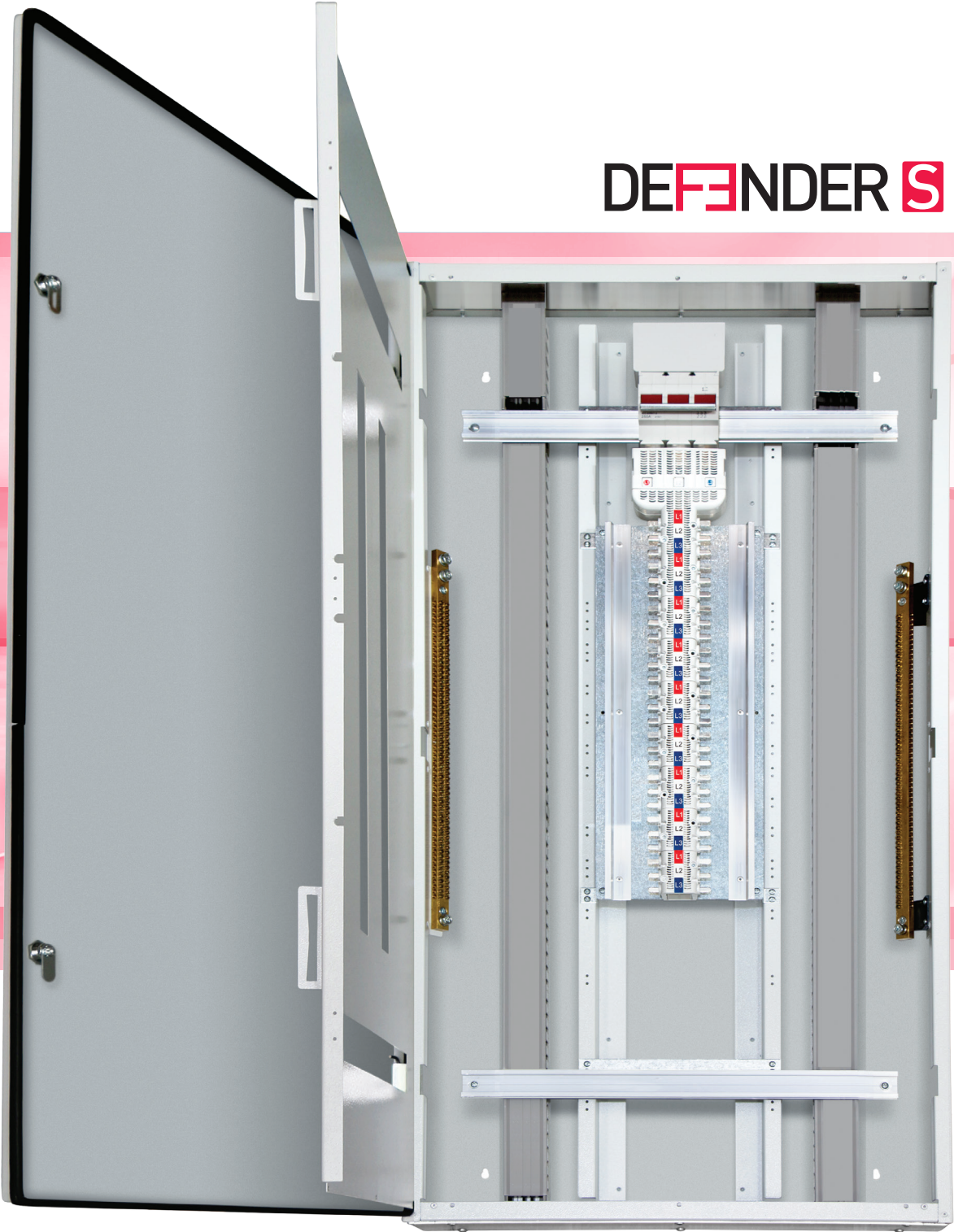


CATALOGUE  
PAGES  
→ INSIDE

THE GLOBAL SPECIALIST  
IN ELECTRICAL AND DIGITAL BUILDING INFRASTRUCTURES

 **legrand**<sup>®</sup>

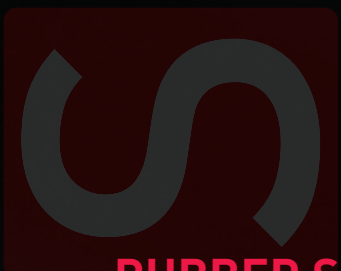
# DEFENDER S



The Legrand range of **Defender S Distribution Boards** are especially designed in order to provide quick & easy installation, safety and reliability in the electrical installation for commercial or residential buildings.



- Comprehensive range from 18 to 54 poles
- Top/bottom DIN cut-out
- 2 sizes available: 1000mm H and 1200mm H
- Allow split chassis configuration for project
- IP42 rated
- Robust build
- Comply with AS/NZS 61439.2



## RUBBER SEAL

Durable sealed gasket to achieve IP42



## EARTH AND NEUTRAL BARS

60 pole Earth and Neutral bars from 48P board size and 30 holes from 18 to 24P board Pitch 7.35mm comply with AS/NZS 5112:2015



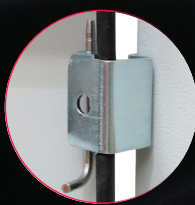
## KEY LOCK

2 keys provided for the board + 2 keys for the extension box



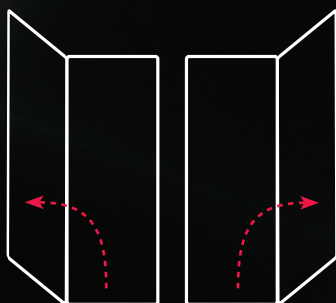
## DOOR HINGES

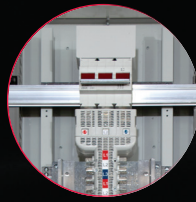
Strong made hinges to carry the metal doors, can be removed quickly if necessary



## REVERSIBLE DOOR

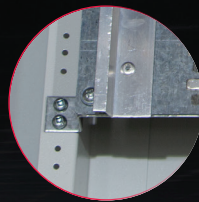
Find the perfect way to install your distribution board





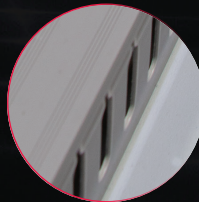
### DIN RAIL(S)

24 modules aluminium  
DIN rail (top and  
bottom)



### BACKBONE CHASSIS

Giving underneath room  
for easy wiring from both  
side of the boards



### REMOVABLE WIDE CABLE DUCT

Manage your cables nice  
and clean with this wide  
trunking system



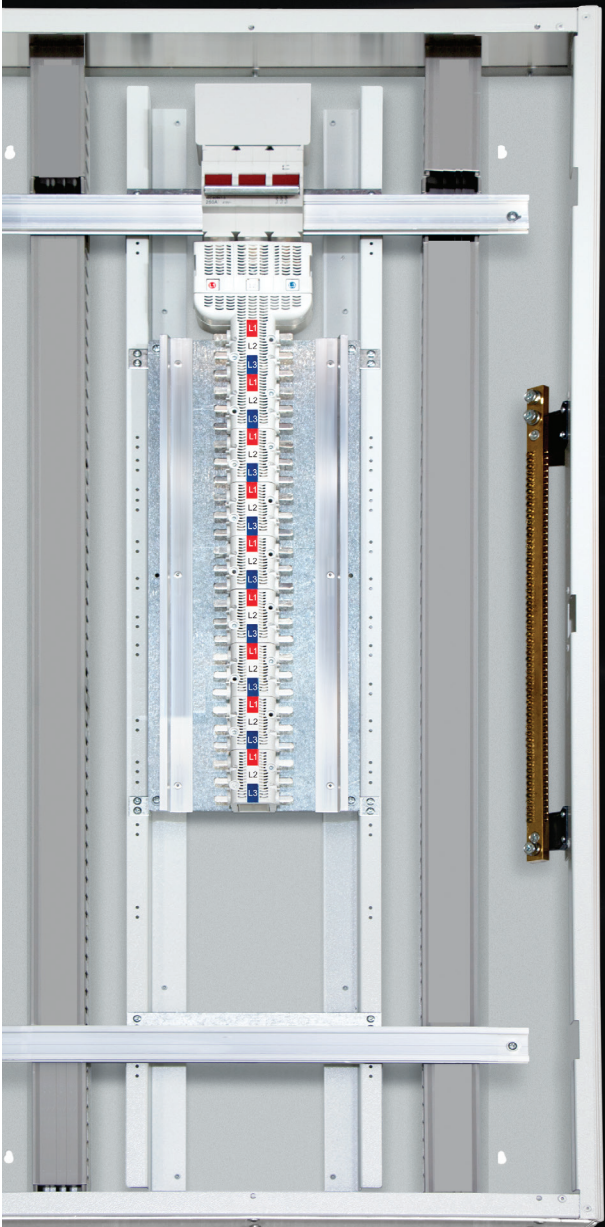
### MOUNTING HOLES

Allowing room to adjust the  
board positioning



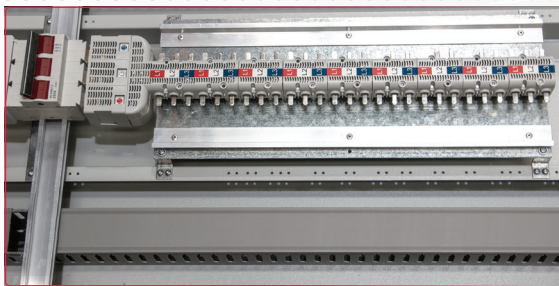
### 250A MAIN SWITCH ISOLATOR

3P, Equipped with Red  
handle to easy identify  
switched position

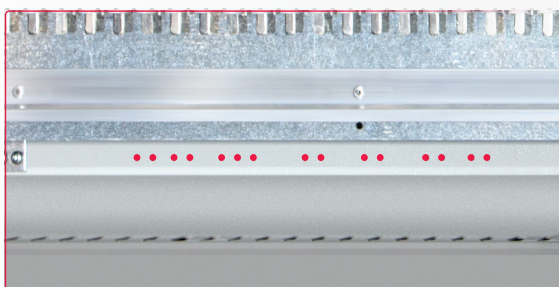


# Easy installation and wiring

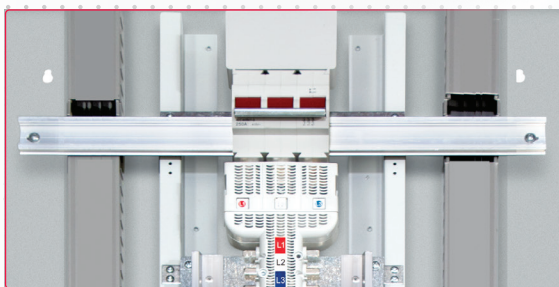
We have made **Defender S** very easy to wire. The range offers a generous room space for cable connections.



From the board to the circuit breaker, everything is done to simplify installation.



Pre drilled holes on the plate and multiple pan base parts available to manage split chassis configurations.



DN rail designed to accept 24 Pole. Organise your cables with the 40x60mm cable trunk.

# Phase colour identification



Holes for ventilation and colored labelling system of the terminals for better phase identification.

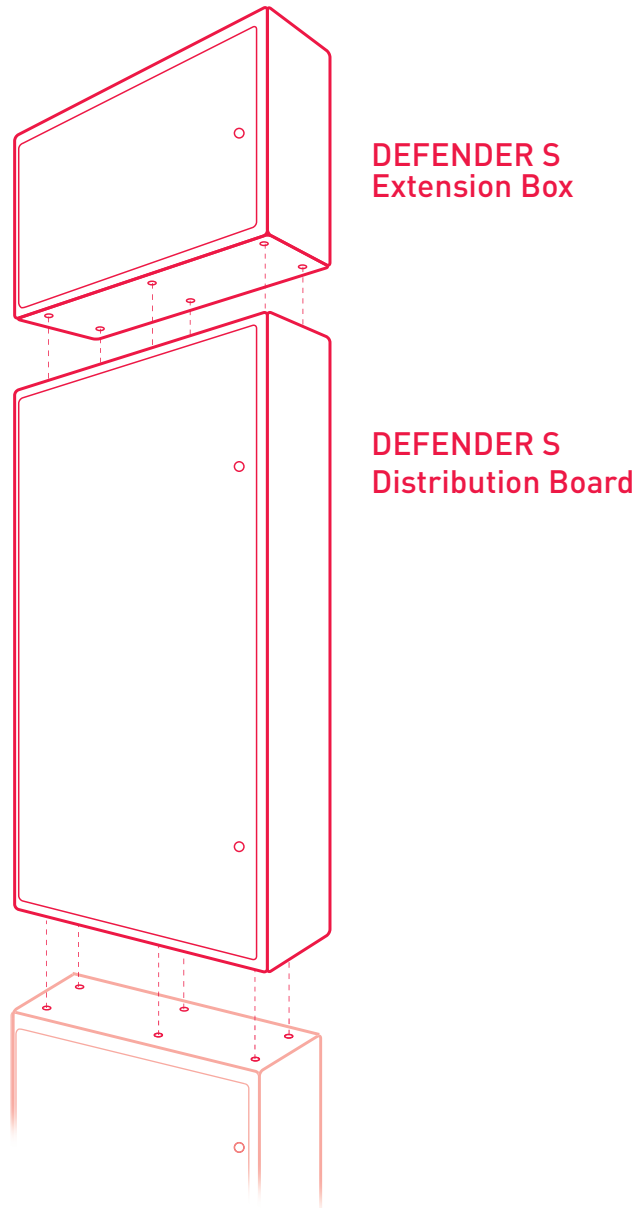
# Perfect Fit with modular devices



RCBOS  
MCBS  
RCDS  
Timer clocks  
SPD  
Contactors  
Metering

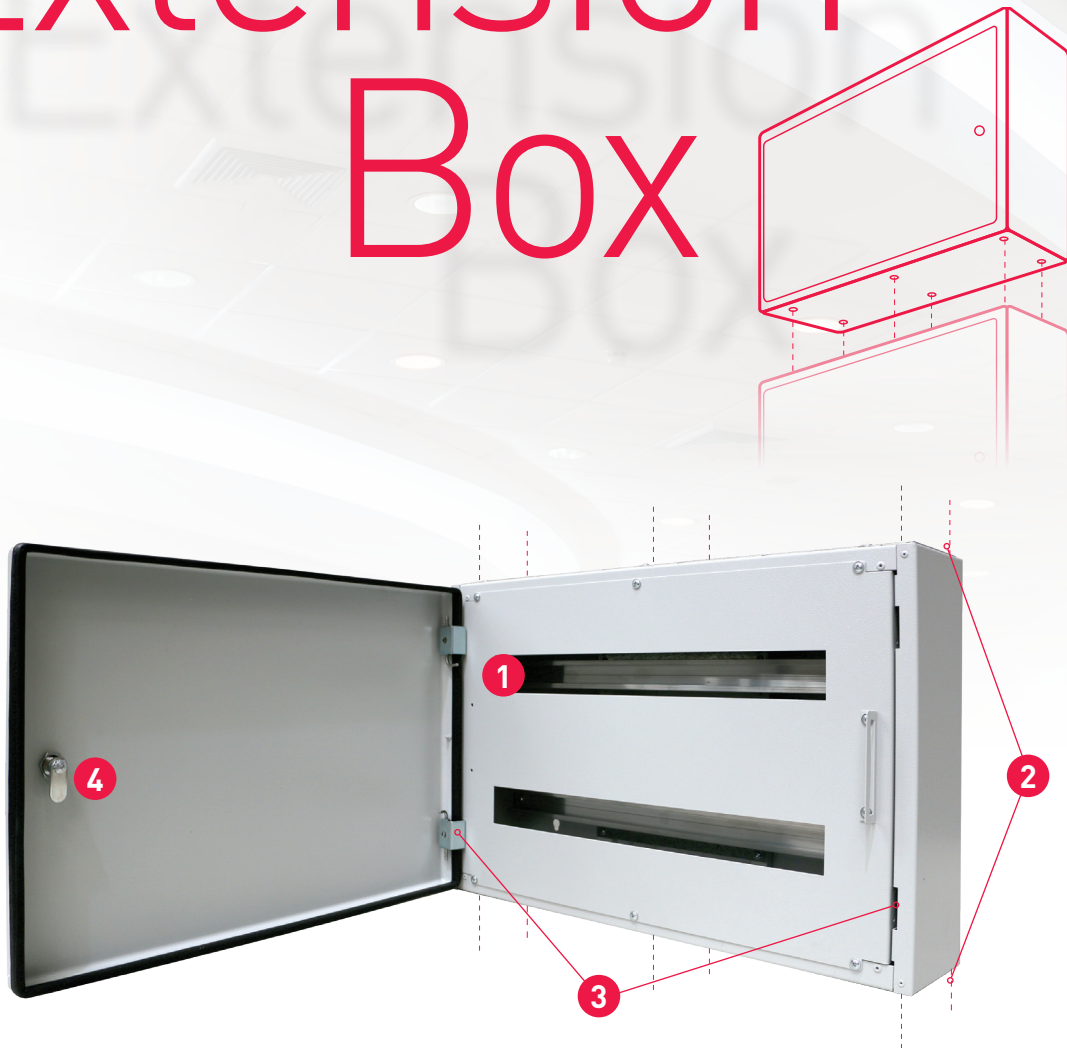
# Made for electricians

**DEFENDER S** is made with a removable aluminium plate for easy installation and allowing to connect from top or bottom the **DEFENDER S Extension Box**.





# Extension Box



**1** Comes in 2 different options:  
**1** DIN RAIL\* or **2** DIN RAILS



**2** TOP or of BOTTOM installation thanks the removable aluminium plate on both sides



**3** Reversible double door



open to the Left

open to the Right

**4** Key lock



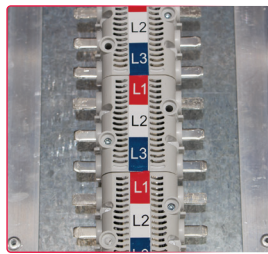
\*24 modules DIN rail

# The right board for the right project

**DEFENDER S** meets project requirements. Parts can be ordered to accommodate split chassis configurations to provide the best customer experience.

## ENCAPSULATED CHASSIS

250A rated  
3 Phase

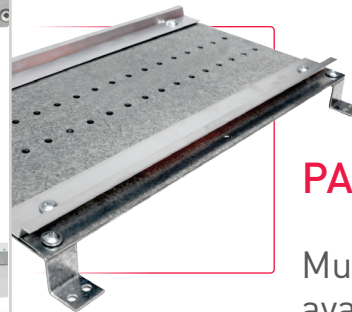


## DISTRIBUTION BOARD ONLY

1000mm Height or  
1200mm height



## EARTH AND NEUTRAL BARS



## PAN BASE

Multiple pan bases available to install the chassis (for split chassis)

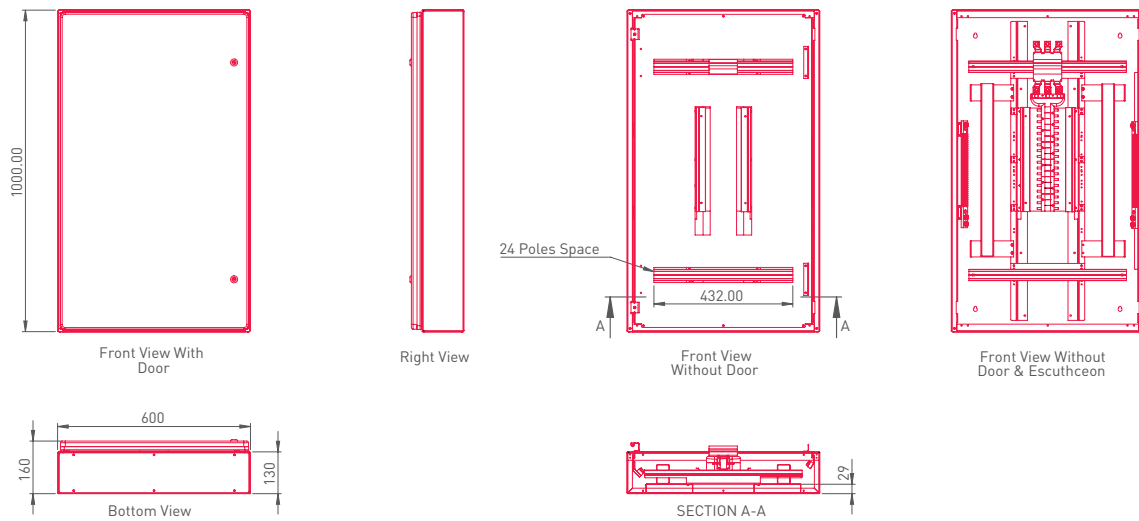


## MAIN SWITCH

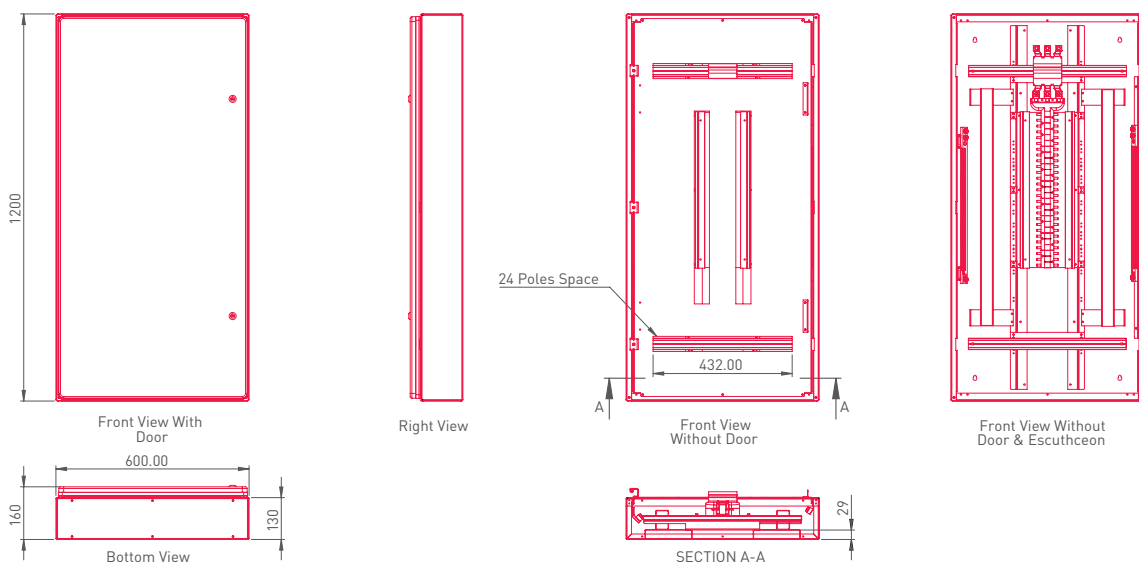
250A rated  
Red handle

# Dimensions charts

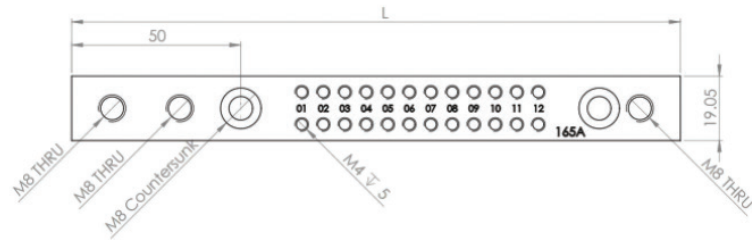
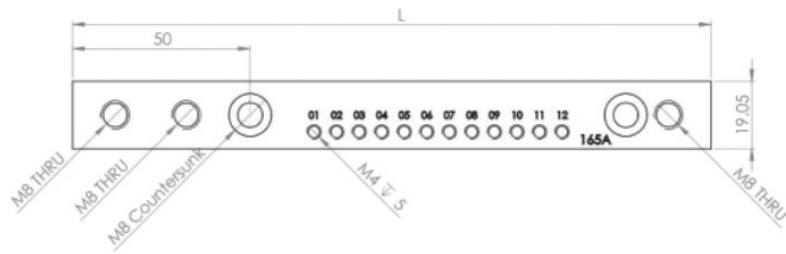
## ■ From 18 to 36 pole size (1000MM HEIGHT)



## ■ From 48 to 54 pole size (1200MM HEIGHT)

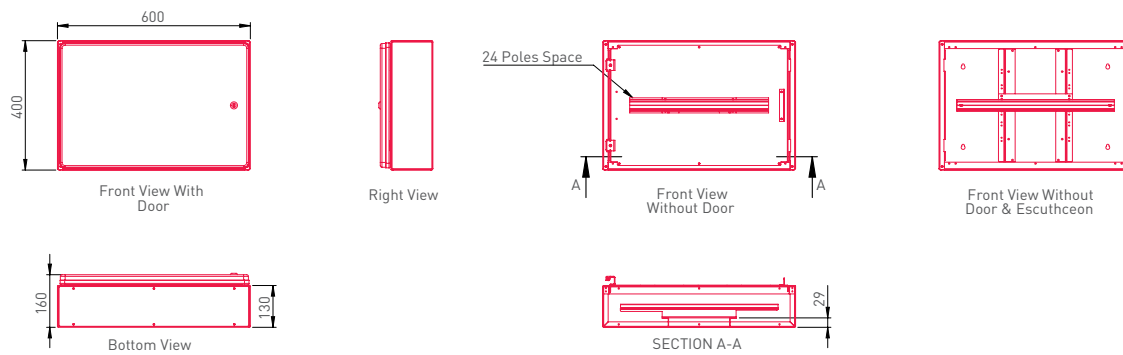


## ■ Earth and Neutral Busbars

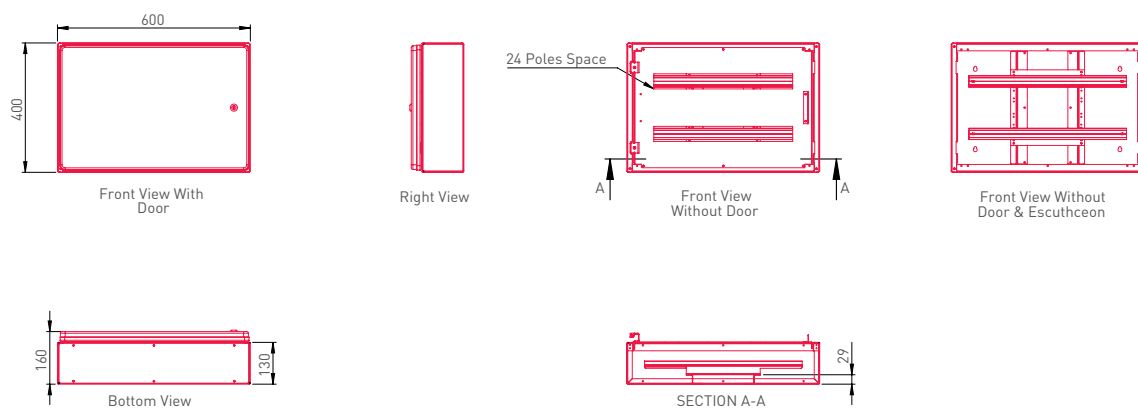


LENGTH (L) mm
176
252
328
404
481
557

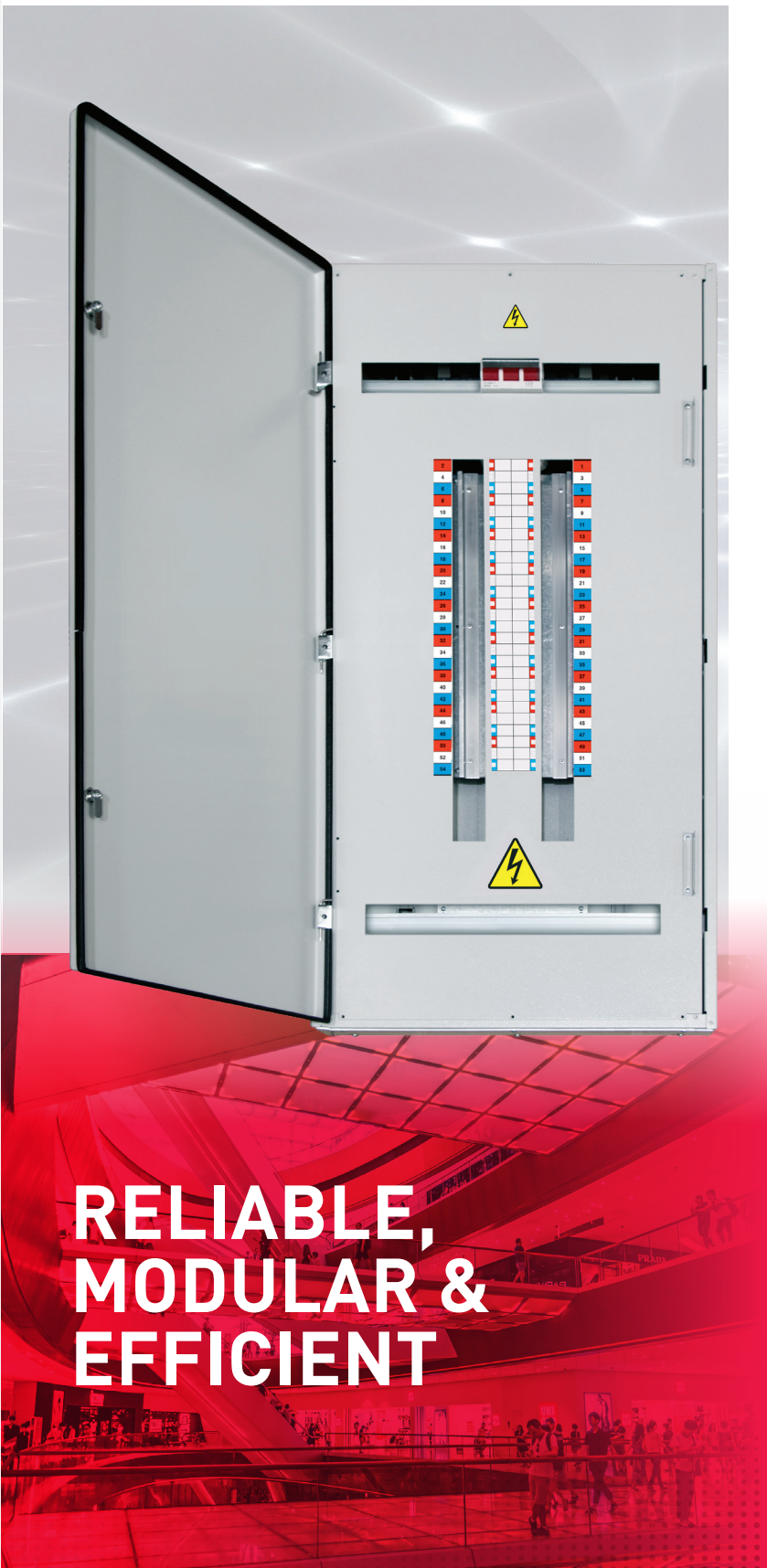
## ■ Extension box 1 DIN (400MM HEIGHT)



## ■ Extension box 2 DIN (400MM HEIGHT)



# DEFENDER S



**RELIABLE,  
MODULAR &  
EFFICIENT**

## Defender S



**P.14**  
3 Phase  
Distribution board  
250A - IP42

## RCBOs DX<sup>3</sup>



**P. 16**  
Residual current  
circuit breakers  
from 6 A to 32 A -  
A types

## MCBs TX<sup>3</sup> 6000



**P. 17**  
Thermal magnetic  
MCBs from 2 A to  
63 A - B & C curve

## MCBs DX<sup>3</sup> 6000 - 10 kA



**P. 17**  
Thermal magnetic  
circuit breakers  
from 1 A to 63 A -  
D curve

## MCBs DX<sup>3</sup> 25 kA



**P. 18**  
Thermal magnetic  
MCBs from 6 A to  
125 A

## RCCBs, RCDs DX<sup>3</sup>



**P. 19**  
Residual current  
devices 16 A to 80  
A - AC and A types

## Class I + II (T1+T2) low voltage SPDs



**P. 20**  
Surge protection  
devices

## Digital and Programmable time switches



**P. 22**  
With digital/  
analogue display

## Delay Timers



**P. 23**  
12 to 230 V~  
and =

## Modular power contactors CX<sup>3</sup>



**P. 25**  
Power contactors  
with 230 V~

## EMDX<sup>3</sup> multi-function measuring unit



**P. 25**  
↳ Rail mounting

Ideal for  
Commercial and  
multi residential  
installations



NDB54P250GR



NDB2EXT250GR

IP42  
250A Rating - 415V  
Mild steel construction  
DIN Rail Size 24 Modules (Top and bottom)  
Aluminium cable gland (plate) Top and Bottom  
Fit perfectly legrand modular gear such as DX3 range of RCBOs  
Key lock and barrel included  
Escutcheons (with 2 DIN cut-out)  
Removable wide cable duct included  
Comply with AS/NZS 61439.2

Legrand Defender S range of distribution meets projects requirement and Australian standards.

- Comprehensive range from 18 to 54 poles
- Top/bottom DIN cut-out
- Allow split chassis configuration for project
- IP42 rated
- Comply with AS/NZS 61439.2

Pack	Cat.Nos	3 Phase Distribution boards			
<b>Grey</b>					
		Number of pole	Width	Height	Depth
1	NDB18P250GR	18	1000	600	130
1	NDB24P250GR	24	1000	600	130
1	NDB36P250GR	36	1000	600	130
1	NDB48P250GR	48	1200	600	130
1	NDB54P250GR	54	1200	600	130
<b>Orange X15</b>					
1	NDB18P250X15	18	1000	600	130
1	NDB24P250X15	24	1000	600	130
1	NDB36P250X15	36	1000	600	130
1	NDB48P250X15	48	1200	600	130
1	NDB54P250X15	54	1200	600	130
<b>White</b>					
1	NDB18P250WE	18	1000	600	130
1	NDB24P250WE	24	1000	600	130
1	NDB36P250WE	36	1000	600	130
1	NDB48P250WE	48	1200	600	130
1	NDB54P250WE	54	1200	600	130

Pack	Cat.Nos	Extension boxes			
<b>Grey</b>					
		Number of DIN rail	Width	Height	Depth
1	NDB1EXT250GR	1	400	600	130
1	NDB2EXT250GR	2	400	600	130
<b>Orange X15</b>					
1	NDB1EXT250X15	1	400	600	130
1	NDB2EXT250X15	2	400	600	130
<b>White</b>					
1	NDB1EXT250WE	1	400	600	130
1	NDB2EXT250WE	2	400	600	130



Find out more about legrand ranges of protection in our dedicated power catalogue.

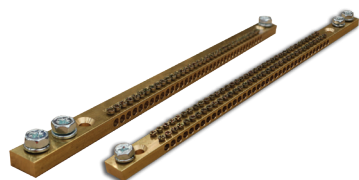
Available for download on [www.legrand.com.au](http://www.legrand.com.au)

## Defender S

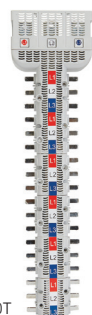
### 3 Phase Distribution board 250A - IP42



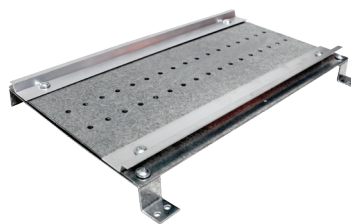
NDBO48-54GR



NDB39360S NDB39360D



HCH36P250T



NDBPANBASE36



682084

IP42  
250A Rating - 415V  
Mild steel construction  
DIN Rail Size 24 Modules (Top and bottom)  
Aluminium cable gland (plate) Top and Bottom  
Fit perfectly legrand modular gear such as DX3 range of RCBOs  
Key lock and barrel included  
Escutcheons (with 2 DIN cut-out)  
Removable wide cable duct included  
Comply with AS/NZS 61439.2

Pack	Cat.Nos	3 Phase Distribution boards (board only)			
1	NDBO18-36GR NDBO48-54GR	<b>Grey</b>			
		For split chassis	Width	Height	Depth
1	NDBO18-36X15 NDBO48-54X15	Maximum pole configuration			
1	NDBO18-36WE NDBO48-54WE	<b>Orange X15</b>			
1	NDBO18-36WE NDBO48-54WE	<b>White</b>			
<b>3 phase encapsulated chassis</b>					
		Number of pole	Current rating		
1	HCH12P250T	12	250A		
1	HCH18P250T	18	250A		
1	HCH24P250T	24	250A		
1	HCH30P250T	30	250A		
1	HCH36P250T	36	250A		
1	HCH42P250T	42	250A		
1	HCH48P250T	48	250A		
1	HCH54P250T	54	250A		
<b>Pan bases &amp; brackets</b>					
		To mount chassis sizes up to			
1	NDBPANBASE18	18 pole			
1	NDBPANBASE24	24 pole			
1	NDBPANBASE36	36 pole			
1	NDBPANBASE48	48 pole			
1	NDBPANBASE54	54 pole			
<b>Main switch</b>					
1	204639	250A 3P isolator - Red handle			
<b>Earth and neutral bars</b>					
		Number of pole	Screw	Bolts	
1	NDB39336S	36	Single screw	3 x M8	
1	NDB39336D	36	Double screw	3 x M8	
1	NDB39360S	60	Single screw	3 x M8	
1	NDB39360D	60	Double screw	3 x M8	
<b>Emergency test switch</b>					
1	682084	DIN-rail Emergency test switch			

Pack	Cat.Nos	Accessories / Spare parts
1	NDBE1DIN	Defender S - blank escutcheon for extension box - 1 DIN
1	NDBE2DIN	Defender S - blank escutcheon for extension box - 2 DIN
1	NDBE18-36	Defender S - blank escutcheon 1000mm size
1	NDBE48-54	Defender S - blank escutcheon 1200mm size
1	NDBDINBRKT	Bracket to mount DIN rails
1	NDBPANBRKT	Bracket to mount chassis to the board
1	NDBLBK144	Lock and barrel - key included
1	NDBGFH	Hinges for distribution board doors
1	NDBENBS	Plastic earth neutral busbar bracket
1	NDBCHA4	Plastic paper holder with tape
1	NDBMLD28	Pole fillers - blank mcb
1	NDBCL24TP	Circuit id labels on escutcheon
1	NDBEXTPCOV	Extension strip - for pole covering 3M length
1	NDBTALBL01	Red white blue label chart 2 to 54 from top
1	NDBTALBL02	Red white blue label chart 1 to 53 from top
1	NDBTALBL03	Red white blue label chart 2 to 54 from bottom
1	NDBTALBL04	Red white blue label chart 1 to 53 from bottom
1	NDBGP600A	Aluminium cable gland plate 600mm width
1	NDBMC525	Aluminium DIN rail 24 modules
<b>Grey</b>		
1	NDBHD18-36GR	Defender S - hinged door with locks 1000mm
1	NDBHD48-54GR	Defender S - hinged door with locks 1200mm
	NDBHDEXTGR	Defender S - hinged door with locks for extension box
<b>Orange X15</b>		
1	NDBHD18-36X15	Defender S - hinged door with locks 1000mm
1	NDBHD48-54X15	Defender S - hinged door with locks 1200mm
	NDBHDEXTX15	Defender S - hinged door with locks for extension box
<b>White</b>		
1	NDBHD18-36WE	Defender S - hinged door with locks 1000mm
1	NDBHD48-54WE	Defender S - hinged door with locks 1200mm
	NDBHDEXTWE	Defender S - hinged door with locks for extension box

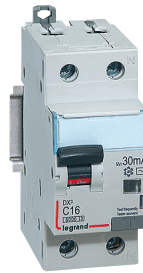
## RCBOs DX<sup>3</sup>

Residual current circuit breakers from 6 A to 32 A – A types



4 189 26

4 189 29



4 110 02



4 112 41

Conform to IEC 61009-1 and BS/NZS 61009-1  
 Compatible with both prong-type and fork type supply busbars  
 Voltage dependent tripping  
 Breaking capacity:  
 [10000] - IEC 61009-1  
 • A type : detect AC and DC component faults  
 Solid neutral (not switched)  
 Functional earth (FE) cable ensuring RCD protection in case of neutral interruption  
 Downstream connection top side  
 Can be equipped with DX<sup>3</sup> signalling and remote tripping auxiliaries and motorised controls

Conform to AS/NZS 61009-1  
 Breaking capacity:  
 [6000] - AS/NZS 61009-1 - 10 kA / AS/NZS 60947-2 for single pole + neutral,  
 2 and 4-pole  
 • AC type : detect AC component faults  
 • A type : detect AC and DC component faults  
 Can be equipped with DX<sup>3</sup> auxiliaries and accessories

Pack	Cat.Nos	Single pole with neutral tail - 230 V <sub>N</sub>	
		<b>A Type  10 mA</b>	
		Nominal rating I <sub>n</sub> (A)	Number of modules
1	4 189 24	6	1
1	4 189 25	10	1
1	4 189 26	16	1
1	4 189 27	20	1
1	4 189 28	25	1
1	4 189 29	32	1
		<b>A Type  30 mA</b>	
1	4 189 32	6	1
1	4 189 33	10	1
1	4 189 34	16	1
1	4 189 35	20	1
1	4 189 36	25	1
1	4 189 37	32	1
		<b>A Type  100 mA</b>	
1	4 189 40	6	1
1	4 189 41	10	1
1	4 189 42	16	1
1	4 189 43	20	1
1	4 189 44	25	1
1	4 189 45	32	1

Pack	Cat.Nos	Single pole + neutral - 230 V <sub>N</sub>	
		Neutral on right-hand side	
		<b>AC Type  10 mA</b>	
		Nominal rating I <sub>n</sub> (A)	Number of modules
1	4 109 93	16	2
		<b>AC Type  30 mA</b>	
1	4 109 99	6	2
1	4 110 00	10	2
1	4 110 02	16	2
1	4 110 03	20	2
1	4 110 04	25	2
1	4 110 05	32	2
1	4 110 06	40	2
		<b>A Type  30 mA</b>	
1	4 110 47	6	2
1	4 110 48	10	2
1	4 110 50	16	2
1	4 110 51	20	2
1	4 110 52	25	2
1	4 110 53	32	2
1	4 110 54	40	2

Conform to AS/NZS 61009-1  
 Compatible with prong-type supply busbars  
 Breaking capacity:  
 • A type : detect AC and DC component faults  
 Can be equipped with DX<sup>3</sup> auxiliaries and accessories

Pack	Cat.Nos	4-pole - 400 - 230 V <sub>N</sub>	
		<b>AC Type  30 mA</b>	
		Nominal rating I <sub>n</sub> (A)	Number of modules
1	4 111 85	10	4
1	4 111 86	16	4
1	4 111 87	20	4
1	4 111 88	25	4
1	4 111 89	32	4
1	4 111 90	40	7
1	4 111 91	50	7
1	4 111 92	63	7
		<b>A Type  30 mA</b>	
1	4 112 33	10	4
1	4 112 34	16	4
1	4 112 35	20	4
1	4 112 36	25	4
1	4 112 37	32	4

Pack	Cat.Nos	Single pole + neutral - 230 V <sub>N</sub>	
		Neutral on left-hand side	
		<b>A Type  10 mA</b>	
		Nominal rating I <sub>n</sub> (A)	Number of modules
1	4 111 21	6	1
1	4 111 22	10	1
1	4 111 24	16	1
1	4 111 25	20	1
1	4 111 26	25	1
1	4 111 27	32	1
		<b>A Type  30 mA</b>	
1	4 111 28	6	1
1	4 111 29	10	1
1	4 111 31	16	1
1	4 111 32	20	1
1	4 111 33	25	1
1	4 111 34	32	1



## MCBs TX<sup>3</sup> 6000

Thermal magnetic MCBs from 2 A to 63 A - B & C curve



4 034 34



4 035 51

Conform to AS/NZS 60898-1  
 Compatible with prong-type and fork type supply busbars  
 Equipped with special DIN rail clamp allowing independent MCB removal with supply busbar in place  
 Breaking capacity:  
 [6000] - AS/NZS 60898-1 - 230/400 V<sub>~</sub>  
 6 kA - AS/NZS 60947-2 - 230/400 V<sub>~</sub>  
 Can be equipped with DX<sup>3</sup> signalling and remote tripping auxiliaries and motorised controls  
 Can be equipped with DX<sup>3</sup> auxiliaries and accessories

## MCBs DX<sup>3</sup> 6000 - 10 kA

Thermal magnetic circuit breakers from 1 A to 63 A - D curve



4 079 67

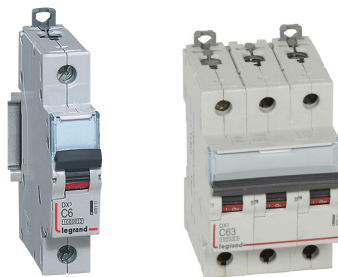
Conform to AS/NZS 60898-1  
 Breaking capacity  
 [6000] - AS/NZS 60898-1 - 400 V<sub>~</sub>  
 10 kA - AS/NZS 60947-2 - 400 V<sub>~</sub>  
 Can be equipped with DX<sup>3</sup> auxiliaries and accessories

Pack	Cat.Nos	Single pole 230/400 V <sub>~</sub>	Nominal rating I <sub>n</sub> (A)	Number of modules
		<b>C curve</b>		
10	4 034 30		6	1
10	4 034 32		10	1
10	4 034 33		13	1
10	4 034 34		16	1
10	4 034 35		20	1
10	4 034 36		25	1
10	4 034 37		32	1
10	4 034 38		40	1
10	4 034 39		50	1
10	4 034 40		63	1
		<b>3-pole 400 V<sub>~</sub></b>		
1	4 035 38		6	3
1	4 035 41		10	3
1	4 035 43		13	3
1	4 035 44		16	3
1	4 035 45		20	3
1	4 035 46		25	3
1	4 035 47		32	3
1	4 035 48		40	3
1	4 035 49		50	3
1	4 035 50		63	3
1	4 035 51		63	3

Pack	Cat.Nos	Single pole 230/400 V <sub>~</sub>	Nominal rating I <sub>n</sub> (A)	Number of modules
		<b>D curve</b>		
1	4 079 67		6	1
1	4 079 69		10	1
1	4 079 71		16	1
1	4 079 72		20	1
1	4 079 73		25	1
1	4 079 74		32	1
1	4 079 75		40	1
1	4 079 76		50	1
1	4 079 77		63	1
		<b>3-pole 400 V<sub>~</sub></b>		
1	4 080 85		6	3
1	4 080 87		10	3
1	4 080 89		16	3
1	4 080 90		20	3
1	4 080 91		25	3
1	4 080 92		32	3
1	4 080 93		40	3
1	4 080 94		50	3
1	4 080 95		63	3

## MCBs DX<sup>3</sup> 10 kA

Thermal magnetic circuit breakers from 1 A to 125 A – C curve



4 091 11

409260

Conform to IEC 60898-1

Breaking capacity

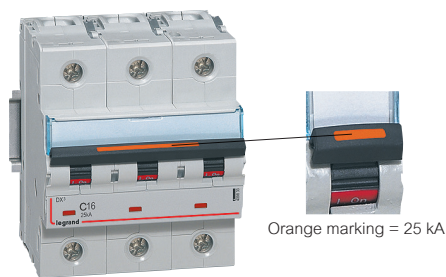
10000 - AS/NZS 60898-1 - 400 V<sub>~</sub>

16 kA - AS/NZS 60947-2 - 400 V<sub>~</sub>

Can be equipped with DX<sup>3</sup> auxiliaries and accessories

## MCBs DX<sup>3</sup> 25 kA

Thermal magnetic MCBs from 6 A to 125 A



4 097 81

Orange marking = 25 kA

Breaking capacity:

25 kA - AS/NZS 60947-2 - 400 V<sub>~</sub>

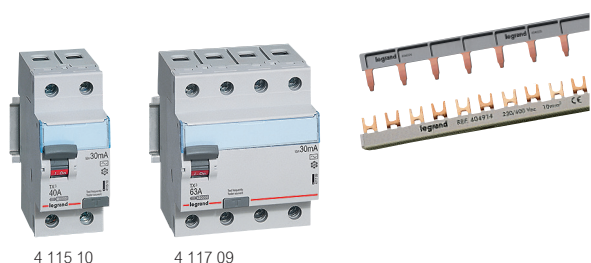
Can be equipped with DX<sup>3</sup> auxiliaries and accessories

Pack	Cat.Nos	MCBs DX <sup>3</sup> 10000 - 16 kA - C curve	
		<b>Single pole 230/400 V<sub>~</sub></b>	
		C curve	
		Nominal rating I <sub>n</sub> (A)	Number of modules
1	4 091 07	1	1
1	4 091 08	2	1
1	4 091 09	3	1
1	4 091 11	6	1
1	4 091 12	10	1
1	4 091 13	13	1
1	4 091 14	16	1
1	4 091 15	20	1
1	4 091 16	25	1
1	4 091 17	32	1
1	4 091 18	40	1
1	4 091 19	50	1
1	4 091 20	63	1
		<b>3-pole 400 V<sub>~</sub></b>	
1	4 092 47	1	3
1	4 092 48	2	3
1	4 092 49	3	3
1	4 092 51	6	3
1	4 092 52	10	3
1	4 092 53	13	3
1	4 092 54	16	3
1	4 092 55	20	3
1	4 092 56	25	3
1	4 092 57	32	3
1	4 092 58	40	3
1	4 092 59	50	3
1	4 092 60	63	3

Pack	Cat.Nos	MCBs DX <sup>3</sup> - 25 kA - C curve	
		<b>Single pole 230/400 V<sub>~</sub></b>	
		C curve	
		Nominal rating I <sub>n</sub> (A)	Number of modules
1	4 097 53	6	1
1	4 097 54	10	1
1	4 097 55	16	1
1	4 097 56	20	1
1	4 097 57	25	1
		<b>3-pole - 400 V<sub>~</sub></b>	
1	4 097 79	6	3
1	4 097 80	10	3
1	4 097 81	16	3
1	4 097 82	20	3
1	4 097 83	25	3

## RCCBs TX<sup>3</sup>

Residual current circuit breakers from 16 A to 80 A - AC and A types

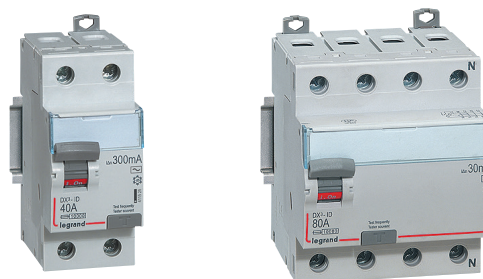


4 115 10

4 117 09

## RCCBs, RCDs DX<sup>3</sup>

Residual current devices 16 A to 80 A - AC and A types



4 115 25

4 117 05

Conform to AS/NZS 61008-1

Compatible with prong-type and fork type supply busbars

- AC type : detect AC component faults
- A type : detect AC and DC component faults

Conform to AS/NZS 61008 - 1

- AC type : detect AC component faults
- A type : detect AC and DC component faults

Can be equipped with DX<sup>3</sup> auxiliaries and accessories

Pack	Cat.Nos	2-pole - 230 V <sub>~</sub>		
		<b>AC type </b>		
		Sensitivity (mA)	In (A)	Number of modules
1	4 115 09	30	25	2
1	4 115 10	30	40	2
1	4 115 11	30	63	2
1	4 115 12	30	80	2
1	4 115 19	100	25	2
1	4 115 20	100	40	2
1	4 115 21	100	63	2
1	4 115 22	100	80	2
1	4 115 29	300	25	2
1	4 115 30	300	40	2
1	4 115 31	300	63	2
1	4 115 32	300	80	2
		<b>A type </b>		
1	4 115 52	10	16	2
1	4 115 59	30	25	2
1	4 115 60	30	40	2
1	4 115 61	30	63	2
1	4 115 62	30	80	2
1	4 115 64	100	25	2
1	4 115 65	100	40	2
1	4 115 66	100	63	2
1	4 115 67	100	80	2
1	4 115 74	300	25	2
1	4 115 75	300	40	2
1	4 115 76	300	63	2
1	4 115 77	300	80	2

Pack	Cat.Nos	4-pole 400 V <sub>~</sub>		
		Neutral on right-hand side		
		<b>AC type </b>		
		Sensitivity (mA)	In (A)	Number of modules
1	4 117 07	30	25	2
1	4 117 08	30	40	2
1	4 117 09	30	63	2
1	4 117 10	30	80	2
1	4 117 17	100	25	2
1	4 117 18	100	40	2
1	4 117 19	100	63	2
1	4 117 20	100	80	2
1	4 117 27	300	25	2
1	4 117 28	300	40	2
1	4 117 29	300	63	2
1	4 117 30	300	80	2
		<b>A type </b>		
1	4 117 64	30	25	2
1	4 117 65	30	40	2
1	4 117 66	30	63	2
1	4 117 67	30	80	2
1	4 117 74	100	25	2
1	4 117 75	100	40	2
1	4 117 76	100	63	2
1	4 117 77	100	80	2
1	4 117 84	300	25	2
1	4 117 85	300	40	2
1	4 117 86	300	63	2
1	4 117 87	300	80	2

Pack	Cat.Nos	2-pole - 230 V <sub>~</sub>	
		<b>AC Type  30 mA</b>	
		Nominal rating In (A)	Number of modules
1	4 115 04	25	2
1	4 115 05	40	2
1	4 115 06	63	2
1	4 115 07	80	2
		<b>AC Type  100 mA</b>	
1	4 115 14	25	2
1	4 115 15	40	2
		<b>AC Type  300 mA</b>	
1	4 115 25	40	2
1	4 115 26	63	2
		<b>A Type  30 mA</b>	
1	4 115 54	25	2
1	4 115 55	40	2
1	4 115 56	63	2
1	4 115 57	80	2
		<b>A Type  300 mA</b>	
1	4 115 70	40	2
1	4 115 71	53	2

Pack	Cat.Nos	4-pole - 400 V <sub>~</sub> - neutral on right-hand side	
		<b>AC Type  30 mA</b>	
		Nominal rating In (A)	Number of modules
1	4 117 02	25	4
1	4 117 03	40	4
1	4 117 04	63	4
1	4 117 05	80	4
		<b>AC Type  300 mA</b>	
1	4 117 23	40	4
1	4 117 24	63	4
1	4 117 25	80	4
		<b>A Type  30 mA</b>	
1	4 117 59	25	4
1	4 117 60	40	4
1	4 117 61	63	4
1	4 117 62	80	4
		<b>A Type  300 mA</b>	
1	4 117 80	40	4

## Class I+II (T1+T2) low voltage SPDs

### Surge protection devices



Protection against transient overvoltages for 230/400 V<sub>N</sub> power networks (50/60 Hz). SPDs compliant with AS/NZS 61643-11 standards  
 Recommended for main distribution boards  
 Class I+II (T1+T2) : SPDs tested and specified according to both T1 and T2 test classes

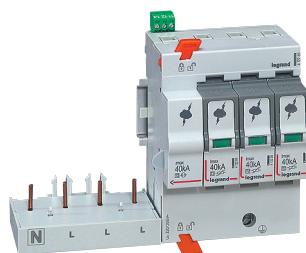
Pack	Cat.Nos	SPDs for general protection of main distribution board	Pack	Cat.No.	T2 SPDs for protection of a sub-distribution board																																																																																	
		SPDs with plug-in modules and status indicators: - Green: SPD operational - Orange: plug-in modules to be replaced Earthing systems: TT, TNC, TNS <b>T1+T2 - Iimp 12,5 kA/pole</b> For general protection of big installations and protection of small installations with external lightning protection (LPS). Up: 1.5 kV - I <sub>max</sub> : 60 kA/pole - U <sub>c</sub> : 320 V <sub>N</sub> Recommended MCB: DX <sup>3</sup> 63 A - C curve			SPDs with plug-in modules and status indicators: - Green: SPD operational - Orange: plug-in modules to be replaced <b>T2 - I<sub>max</sub> 40 kA/pole</b> SPDs recommended for power installations Up: 1.7 kV - I <sub>n</sub> : 20 kA/pole - U <sub>c</sub> : 320 V <sub>N</sub> Earthing systems : TT, TNC, TNS Recommended MCB: DX <sup>3</sup> 25 A - C curve																																																																																	
		<table border="1"> <thead> <tr> <th>Number of poles</th> <th>Neutral position</th> <th>I<sub>total</sub> (10/350)</th> <th>Remote status monitoring (FS contact)</th> <th>Number of modules</th> </tr> </thead> <tbody> <tr><td>1P</td><td>-</td><td>12.5 kA</td><td>No</td><td>1</td></tr> <tr><td>1P+N</td><td>Left</td><td>25 kA</td><td>Yes</td><td>2</td></tr> <tr><td>1P+N</td><td>Right</td><td>25 kA</td><td>Yes</td><td>2</td></tr> <tr><td>2P</td><td>-</td><td>25 kA</td><td>No</td><td>2</td></tr> <tr><td>3P</td><td>-</td><td>37.5 kA</td><td>Yes</td><td>3</td></tr> <tr><td>3P+N</td><td>Left</td><td>50 kA</td><td>Yes</td><td>4</td></tr> <tr><td>3P+N</td><td>Right</td><td>50 kA</td><td>Yes</td><td>4</td></tr> <tr><td>4P</td><td>-</td><td>50 kA</td><td>No</td><td>4</td></tr> </tbody> </table>	Number of poles	Neutral position	I <sub>total</sub> (10/350)	Remote status monitoring (FS contact)	Number of modules	1P	-	12.5 kA	No	1	1P+N	Left	25 kA	Yes	2	1P+N	Right	25 kA	Yes	2	2P	-	25 kA	No	2	3P	-	37.5 kA	Yes	3	3P+N	Left	50 kA	Yes	4	3P+N	Right	50 kA	Yes	4	4P	-	50 kA	No	4			<table border="1"> <thead> <tr> <th>Number of poles</th> <th>Neutral position</th> <th>Remote status monitoring (FS contact)</th> <th>Number of modules</th> </tr> </thead> <tbody> <tr><td>1P</td><td>-</td><td>No</td><td>1</td></tr> <tr><td>1P+N</td><td>Left</td><td>No</td><td>2</td></tr> <tr><td>1P+N</td><td>Right</td><td>No</td><td>2</td></tr> <tr><td>2P</td><td>-</td><td>No</td><td>2</td></tr> <tr><td>3P</td><td>-</td><td>Yes</td><td>3</td></tr> <tr><td>3P+N</td><td>Left</td><td>No</td><td>4</td></tr> <tr><td>3P+N</td><td>Right</td><td>No</td><td>4</td></tr> <tr><td>4P</td><td>-</td><td>No</td><td>4</td></tr> </tbody> </table>	Number of poles	Neutral position	Remote status monitoring (FS contact)	Number of modules	1P	-	No	1	1P+N	Left	No	2	1P+N	Right	No	2	2P	-	No	2	3P	-	Yes	3	3P+N	Left	No	4	3P+N	Right	No	4	4P	-	No	4
Number of poles	Neutral position	I <sub>total</sub> (10/350)	Remote status monitoring (FS contact)	Number of modules																																																																																		
1P	-	12.5 kA	No	1																																																																																		
1P+N	Left	25 kA	Yes	2																																																																																		
1P+N	Right	25 kA	Yes	2																																																																																		
2P	-	25 kA	No	2																																																																																		
3P	-	37.5 kA	Yes	3																																																																																		
3P+N	Left	50 kA	Yes	4																																																																																		
3P+N	Right	50 kA	Yes	4																																																																																		
4P	-	50 kA	No	4																																																																																		
Number of poles	Neutral position	Remote status monitoring (FS contact)	Number of modules																																																																																			
1P	-	No	1																																																																																			
1P+N	Left	No	2																																																																																			
1P+N	Right	No	2																																																																																			
2P	-	No	2																																																																																			
3P	-	Yes	3																																																																																			
3P+N	Left	No	4																																																																																			
3P+N	Right	No	4																																																																																			
4P	-	No	4																																																																																			
		<b>T1+T2 - Iimp 8 kA/pole</b> SPDs for small installations without external lightning protection (LPS) Up: 1.3 kV - I <sub>max</sub> : 50 kA/pole - U <sub>c</sub> : 320 V <sub>N</sub> Recommended MCB: DX <sup>3</sup> 40 A - C curve			<b>T2 - I<sub>max</sub> 40 kA/pole - 440V<sub>N</sub> (IT)</b> SPDs recommended for big installations Up: 2.1 kV - I <sub>n</sub> : 20 kA/pole - U <sub>c</sub> : 440 V <sub>N</sub> Earthing systems : TT, TNC, TNS, IT Recommended MCB: DX <sup>3</sup> 25 A - C curve																																																																																	
		<table border="1"> <thead> <tr> <th>Number of poles</th> <th>Neutral position</th> <th>I<sub>total</sub> (10/350)</th> <th>Remote status monitoring (FS contact)</th> <th>Number of modules</th> </tr> </thead> <tbody> <tr><td>1P</td><td>-</td><td>8 kA</td><td>No</td><td>1</td></tr> <tr><td>1P+N</td><td>Left</td><td>16 kA</td><td>No</td><td>2</td></tr> <tr><td>1P+N</td><td>Right</td><td>16 kA</td><td>No</td><td>2</td></tr> <tr><td>2P</td><td>-</td><td>16 kA</td><td>No</td><td>2</td></tr> <tr><td>3P</td><td>-</td><td>25 kA</td><td>No</td><td>3</td></tr> <tr><td>3P+N</td><td>Left</td><td>25 kA</td><td>No</td><td>4</td></tr> <tr><td>3P+N</td><td>Right</td><td>25 kA</td><td>No</td><td>4</td></tr> <tr><td>4P</td><td>-</td><td>32 kA</td><td>No</td><td>4</td></tr> </tbody> </table>	Number of poles	Neutral position	I <sub>total</sub> (10/350)	Remote status monitoring (FS contact)	Number of modules	1P	-	8 kA	No	1	1P+N	Left	16 kA	No	2	1P+N	Right	16 kA	No	2	2P	-	16 kA	No	2	3P	-	25 kA	No	3	3P+N	Left	25 kA	No	4	3P+N	Right	25 kA	No	4	4P	-	32 kA	No	4			<table border="1"> <thead> <tr> <th>Number of poles</th> <th>Neutral position</th> <th>Remote status monitoring (FS contact)</th> <th>Number of modules</th> </tr> </thead> <tbody> <tr><td>1P</td><td>-</td><td>No</td><td>1</td></tr> <tr><td>3P</td><td>-</td><td>Yes</td><td>3</td></tr> <tr><td>4P</td><td>-</td><td>Yes</td><td>4</td></tr> </tbody> </table>	Number of poles	Neutral position	Remote status monitoring (FS contact)	Number of modules	1P	-	No	1	3P	-	Yes	3	4P	-	Yes	4																				
Number of poles	Neutral position	I <sub>total</sub> (10/350)	Remote status monitoring (FS contact)	Number of modules																																																																																		
1P	-	8 kA	No	1																																																																																		
1P+N	Left	16 kA	No	2																																																																																		
1P+N	Right	16 kA	No	2																																																																																		
2P	-	16 kA	No	2																																																																																		
3P	-	25 kA	No	3																																																																																		
3P+N	Left	25 kA	No	4																																																																																		
3P+N	Right	25 kA	No	4																																																																																		
4P	-	32 kA	No	4																																																																																		
Number of poles	Neutral position	Remote status monitoring (FS contact)	Number of modules																																																																																			
1P	-	No	1																																																																																			
3P	-	Yes	3																																																																																			
4P	-	Yes	4																																																																																			
		<table border="1"> <thead> <tr> <th>Number of poles</th> <th>Neutral position</th> <th>I<sub>total</sub> (10/350)</th> <th>Remote status monitoring (FS contact)</th> <th>Number of modules</th> </tr> </thead> <tbody> <tr><td>1P</td><td>-</td><td>8 kA</td><td>No</td><td>1</td></tr> <tr><td>1P+N</td><td>Left</td><td>16 kA</td><td>No</td><td>2</td></tr> <tr><td>1P+N</td><td>Right</td><td>16 kA</td><td>No</td><td>2</td></tr> <tr><td>2P</td><td>-</td><td>16 kA</td><td>No</td><td>2</td></tr> <tr><td>3P</td><td>-</td><td>25 kA</td><td>No</td><td>3</td></tr> <tr><td>3P+N</td><td>Left</td><td>25 kA</td><td>No</td><td>4</td></tr> <tr><td>3P+N</td><td>Right</td><td>25 kA</td><td>No</td><td>4</td></tr> <tr><td>4P</td><td>-</td><td>32 kA</td><td>No</td><td>4</td></tr> </tbody> </table>	Number of poles	Neutral position	I <sub>total</sub> (10/350)	Remote status monitoring (FS contact)	Number of modules	1P	-	8 kA	No	1	1P+N	Left	16 kA	No	2	1P+N	Right	16 kA	No	2	2P	-	16 kA	No	2	3P	-	25 kA	No	3	3P+N	Left	25 kA	No	4	3P+N	Right	25 kA	No	4	4P	-	32 kA	No	4			<b>T2 - I<sub>max</sub> 20 kA/pole</b> SPDs recommended for small installations Up: 1.2 kV - I <sub>n</sub> : 5 kA/pole - U <sub>c</sub> : 320 V <sub>N</sub> Earthing systems : TT, TNC, TNS Recommended MCB: DX <sup>3</sup> 20 A - C curve																																				
Number of poles	Neutral position	I <sub>total</sub> (10/350)	Remote status monitoring (FS contact)	Number of modules																																																																																		
1P	-	8 kA	No	1																																																																																		
1P+N	Left	16 kA	No	2																																																																																		
1P+N	Right	16 kA	No	2																																																																																		
2P	-	16 kA	No	2																																																																																		
3P	-	25 kA	No	3																																																																																		
3P+N	Left	25 kA	No	4																																																																																		
3P+N	Right	25 kA	No	4																																																																																		
4P	-	32 kA	No	4																																																																																		
					<table border="1"> <thead> <tr> <th>Number of poles</th> <th>Neutral position</th> <th>Remote status monitoring (FS contact)</th> <th>Number of modules</th> </tr> </thead> <tbody> <tr><td>1P</td><td>-</td><td>No</td><td>1</td></tr> <tr><td>1P+N</td><td>Left</td><td>No</td><td>2</td></tr> <tr><td>1P+N</td><td>Right</td><td>No</td><td>2</td></tr> <tr><td>2P</td><td>-</td><td>No</td><td>2</td></tr> <tr><td>3P+N</td><td>Left</td><td>No</td><td>4</td></tr> <tr><td>3P+N</td><td>Right</td><td>No</td><td>4</td></tr> <tr><td>4P</td><td>-</td><td>No</td><td>4</td></tr> </tbody> </table>	Number of poles	Neutral position	Remote status monitoring (FS contact)	Number of modules	1P	-	No	1	1P+N	Left	No	2	1P+N	Right	No	2	2P	-	No	2	3P+N	Left	No	4	3P+N	Right	No	4	4P	-	No	4																																																	
Number of poles	Neutral position	Remote status monitoring (FS contact)	Number of modules																																																																																			
1P	-	No	1																																																																																			
1P+N	Left	No	2																																																																																			
1P+N	Right	No	2																																																																																			
2P	-	No	2																																																																																			
3P+N	Left	No	4																																																																																			
3P+N	Right	No	4																																																																																			
4P	-	No	4																																																																																			
					<b>Replacement plug-in modules</b>																																																																																	
					For SPDs T2 - 40 kA Cat.Nos 4 122 40/41/42/43/44/45/ 46/47/64/65/66/67																																																																																	
					N-PE module for SPDs T2 - 40 kA Cat.Nos 4 122 44/45/46/47																																																																																	
					For SPDs T2 - 440 V Cat.Nos 4 122 30/32/33																																																																																	
					For SPDs T2 - 20 kA Cat.Nos 4 122 20/21/23/24/25/26/27/60/61/62/63																																																																																	
					N-PE module for SPDs T2 - 20 kA Cat.Nos 4 122 24/25/26/27																																																																																	

1: 1P+N and 3P+N: L-N and N-PE protection modes (common and differential modes), take N pole being protected by encapsulated spark gaps. Also called 1+1 and 3+1

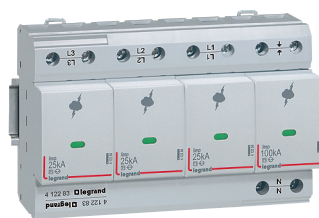
1: 1P+N and 3P+N: L-N and N-PE protection modes (common and differential modes), the N pole being protected by encapsulated spark gaps. Also called 1+1 and 3+1

## Class II low voltage SPDs

### Surge protection devices



4 122 65



4 122 83



4 123 03



4 122 84

Protection against transient overvoltages for 230/400 V<sub>n</sub> power networks (50/60 Hz). SPDs compliant with AS/NZS 61643-11 standards  
Recommended for distribution boards

Pack	Cat.Nos	T2 add-on SPDs	Pack	Cat.Nos	SPDs for high risk level installations																														
		<p>SPDs with plug-in modules and status indicators: - Green: SPD operational - Orange: plug-in modules to be replaced SPDs providing increased safety during their lifetime and maintenance cycles. Prewired MCB connexions for increased reliability and for quick and easy Installation. To be equipped with DX<sup>3</sup> MCBs (1 module/pole) Earthing systems: TT, TNS</p> <p><b>T2 - I<sub>max</sub> 40 kA/pole</b> SPDs recommended for power installations Up: 1.7 kV - In: 20 kA/pole - Uc: 320 V<sub>n</sub> Recommended MCB: DX<sup>3</sup> 25 A - C curve</p>			<p>SPDs for big installations with external lightning protection (LPS) and for high risk level installations according to EN/IEC 62305 standards SPDs with plug-in modules and status indicators: - Green: SPD operational - Red: plug-in modules to be replaced</p> <p><b>T1 + T2 - I<sub>imp</sub> 35 kA/pole - 440V<sub>n</sub> (IT) - Plug-in</b> Up: 2.5 kV - Uc: 440 V<sub>n</sub> Earthing systems: TT, TNC, TNS, IT Recommended MCCB: DPX<sup>3</sup>160 - 80 A</p>																														
		<table border="1"> <thead> <tr> <th>Number of poles</th> <th>Neutral position</th> <th>Remote status monitoring (FS contact)</th> <th>Number of modules</th> </tr> </thead> <tbody> <tr> <td>1P+N</td> <td>Left</td> <td>Yes</td> <td>4</td> </tr> <tr> <td>1P+N</td> <td>Right</td> <td>Yes</td> <td>4</td> </tr> <tr> <td>3P+N</td> <td>Left</td> <td>Yes</td> <td>8</td> </tr> <tr> <td>3P+N</td> <td>Right</td> <td>Yes</td> <td>8</td> </tr> </tbody> </table> <p><b>T2 - I<sub>max</sub> 20 kA/pole</b> SPDs recommended for small installations Up: 1.2 kV - In: 5 kA/pole - Uc: 320 V<sub>n</sub> Recommended MCB: DX<sup>3</sup> 20A - C curve</p>	Number of poles	Neutral position	Remote status monitoring (FS contact)	Number of modules	1P+N	Left	Yes	4	1P+N	Right	Yes	4	3P+N	Left	Yes	8	3P+N	Right	Yes	8			<table border="1"> <thead> <tr> <th>Number of poles</th> <th>Neutral position</th> <th>Total (10/350)</th> <th>Remote status monitoring (FS contact)</th> <th>Number of modules</th> </tr> </thead> <tbody> <tr> <td>1P</td> <td>-</td> <td>35 kA</td> <td>Yes</td> <td>2</td> </tr> </tbody> </table>	Number of poles	Neutral position	Total (10/350)	Remote status monitoring (FS contact)	Number of modules	1P	-	35 kA	Yes	2
Number of poles	Neutral position	Remote status monitoring (FS contact)	Number of modules																																
1P+N	Left	Yes	4																																
1P+N	Right	Yes	4																																
3P+N	Left	Yes	8																																
3P+N	Right	Yes	8																																
Number of poles	Neutral position	Total (10/350)	Remote status monitoring (FS contact)	Number of modules																															
1P	-	35 kA	Yes	2																															
1	4 122 64 <sup>1</sup>																																		
1	4 122 66 <sup>1</sup>																																		
1	4 122 65 <sup>1</sup>																																		
1	4 122 67 <sup>1</sup>																																		
					<p><b>SPDs for high risk level installations</b> <b>T1 + T2 - I<sub>imp</sub> 25 kA/pole</b> Up: 1.5 kV - Uc: 350 V<sub>n</sub> Earthing systems: TT, TNC, TNS. Recommended MCCB: DPX<sup>3</sup>160 - 80 A</p>																														
1	4 122 81 <sup>1</sup>				1P+N   Right   50 kA   Yes   4																														
1	4 122 82 <sup>1</sup>				3P   -   75 kA   Yes   6																														
1	4 122 83 <sup>1</sup>				3P+N   Right   100 kA   Yes   8																														
					<p><b>Replacement plug-in modules</b></p>																														
1	4 123 02				For SPDs T1+T2 - 8 kA Cat.Nos 4 122 50/51/52/53/54/55/56/57																														
1	4 123 03				For SPDs T1+T2 - 12.5 kA Cat.Nos 4 122 70/71/72/73/74/75/76/77																														
1	4 122 84				For SPDs T1+T2 - 25 kA Cat.Nos 4 122 81/82/83 and 0 030 20/22/23/27																														
1	4 122 85				N-PE module for SPDs T1+T2 - 25 kA Cat.Nos 4 122 81/83 and 0 030 23																														
1	4 122 86				For SPDs T1+T2 - 35 kA Cat.No 4 122 80																														
					<p><b>Cabling accessories</b></p>																														
1	4 123 10				Ready to use cabling kit consisting of 5 conductors (including the earth conductor) Cross section :16mm <sup>2</sup> Length : 40cm For cabling SPDs in industrial enclosures (for EN/IEC 61439 compliance).																														

**Digital time switches**  
With digital display

**Programmable time switches**  
With analogue dial



For switching an electric circuit (lighting, heating) ON or OFF at selected times during a pre-programmed time period  
Temporary (automatic return) or permanent (forced switching ON or OFF) override on output

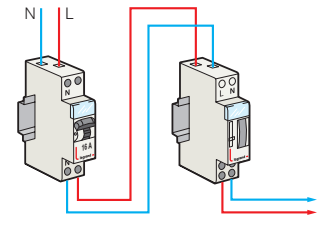
Programmed via captive segment  
Power supply: 230 V<sub>~</sub> - 50/60 Hz  
3-position override switch "ON-AUTO-OFF" on front panel  
Manual changeover to summer/winter time  
1 outlet 16 A - 250 V<sub>~</sub> -  $\mu \cos \varphi = 1$

Pack	Cat.Nos	Standard - daily or weekly programme with 3 years clock working reserve	Number of modules
1	0 037 10	Compatible with alternative renewable energy systems such as photovoltaic panels Automatic summer/winter changeover Clock precision: $\pm 1$ sec per day Minimum programme setting: 1 min 28 programmes – Battery type: CR2032  <b>Power supply 120/230 V<sub>~</sub> - 50/60 Hz</b> 1 output 16 A - 250 V <sub>~</sub> $\mu \cos \varphi = 1$ per 1 inverter contact	1
1	4 126 81	<b>Multiple functions - daily or weekly programme - 5 years clock working reserve</b> Programme settings: on daily or weekly basis 15 languages A programme consists of a on and off time and their assignment to certain days Option to suspend the programme for a specific period to set-up with start and date Minimum programme setting: 1 s. High precision clock: $\pm 0.1$ sec per day Particularly suited to irregular cycles: - security installations (access point, alarms, etc.), - industrial installations (pump stations, etc.) Programmed directly on keypad, or using program transfer key Cat.No 4 128 72 Additional functions including random (irregular cycles), hour counters  <b>Power supply 230 V<sub>~</sub> - 50/60 Hz</b> 1 Output 16A - 250V <sub>~</sub> 26 programmes $\mu \cos \varphi = 1$ per 1 inverter contact Bluetooth Connection	1
1	4 126 31	1 output 16 A - 250 V <sub>~</sub> 56 programmes $\mu \cos \varphi = 1$ per 1 inverter contact	2
1	4 126 41	2 output 16 A - 250 V <sub>~</sub> 2 x 28 programmes $\mu \cos \varphi = 1$ per 2 inverters contacts	2
1	4 126 54	1 output 16 A - 250 V <sub>~</sub> Astronomical function 56 programmes $\mu \cos \varphi = 1$ per 1 inverter contact	2
1	4 126 57	2 outputs 16 A - 250 V <sub>~</sub> Astronomical function 2 x 28 programmes $\mu \cos \varphi = 1$ per 2 inverter contacts	2

Pack	Cat.Nos	Daily programme	Number of modules
1	4 127 80	1 segment = 15 minutes Accuracy: $\pm 5$ minutes <b>Vertical dial</b> Minimum switching time: 15 minutes N/O contact Without working reserve	1
1	4 127 90	With 100 h working reserve	1
1	4 127 94	<b>Weekly programme</b> 1 segment = 2 hours Accuracy: $\pm 30$ minutes <b>Vertical dial</b> Minimum switching time: 2 hours N/O contact With 100 h working reserve	1

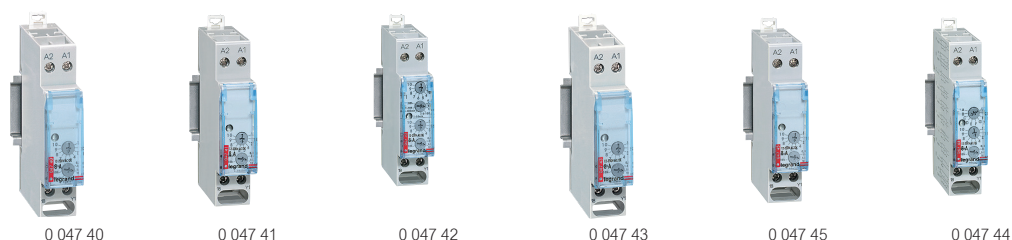
**Diagrams**

Cat.Nos 4 127 80/90/94

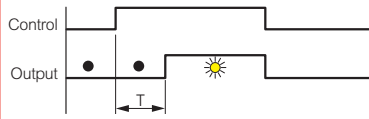
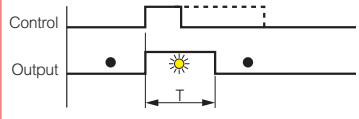
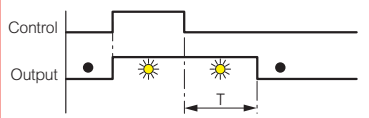
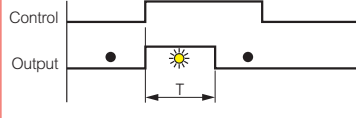
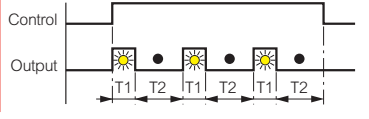


# Delay Timers

12 to 230 V<sub>~</sub> and =



For controlling the switching ON or OFF of a circuit (lighting, ventilation, automation, signalling) in operation for a specific time from 0.1 sec to 100 hrs  
 Supply voltage: 12 to 230 V<sub>~</sub> (50/60 Hz) and =  
 Output: 8 A - 250 V<sub>~</sub> -  $\mu \cos \varphi = 1$  per inverter contact

Pack	Cat.Nos	Time delay relays	Number of modules	Pack	Cat.Nos	Time delay relays (continued)	Number of modules
1	0 047 40	<b>ON delay</b> Delays load switch-on (alarm, lighting, contactor)  The time period starts when the relay is switched ON. At the end of the time period (T), the load is switched ON	1	1	0 047 43	<b>Timer (pulse)</b> For switching a load ON for a specific time (contactor)  The time period (T) starts with the closing of the non-illuminated switch or pushbutton. At the end of the time period, the load is switched OFF	1
1	0 047 41	<b>OFF delay</b> Delays load switch-off (ventilation, etc.)  The time period (T) starts with the opening of the non-illuminated switch or pushbutton. At the end of the time period, the load is switched OFF	1	1	0 047 45	<b>Wipe contact flick contactor</b> For switching a load ON for a specific time  The time period (T) starts when the relay is switched ON. At the end of the time period (T), the load is switched OFF	1
1	0 047 42	<b>Flashing</b> For switching ON and OFF a load (lighting, sounder) for different times and cyclically 	1	1	0 047 44	<b>Multifunction</b> <ul style="list-style-type: none"> <li>• ON delay</li> <li>• OFF delay</li> <li>• ON/OFF delay</li> <li>• Timer (pulse)</li> <li>• Timer and passing contact</li> <li>• Flashing</li> <li>• Totalizer on delay</li> <li>• Totalizer delay on power-up</li> </ul>	1

**Electronic time-lag switches**  
230 V<sub>~</sub> - 50/60Hz



**Modular power contactors with handle CX<sup>3</sup>**  
63 A



4 126 02



Space for supply busbar



0 047 04



412548



412557

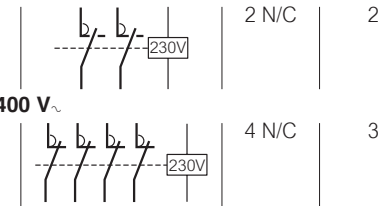
Designed for supply busbar compatibility  
Power supply: 230 V<sub>~</sub> - 50/60 Hz  
Switches a lighting circuit for a specific time  
Self-protection in the event of blocked pushbutton

Pack	Cat.No.	Time-lag switch
10	4 126 02	Resettable 230 V <sub>~</sub> - 50/60 Hz Timing adjustable from 0.5 sec to 10 min Manual override contact Output 16 A - 250 V <sub>~</sub> - $\mu \cos \varphi = 1$ 2000 W incandescent/halogen 2000 W halogen - 230 V <sub>~</sub> 1000 VA fluo - series compensated 120 VA fluo - parallel compensated 14 $\mu$ F 100 VA compact fluorescent 1000 W energy saving lamp automatic 3-wire or 4-wire connection
10	0 047 04	<b>Multi-function time-lag switch</b> Resettable 230 V <sub>~</sub> - 50/60 Hz Timing adjustable from 0.5 sec to 12 min Operation with 3 or 4 wires automatically recognised by the time-lag switch - Inputs for separate control 8-230 V (presence detection, lighting control by door entry system etc.) - Switch-off pre-warning function, - Long duration function (1 hour) and manual switch-off Output 16 A - 250 V <sub>~</sub> - $\mu \cos \varphi = 1$ 3680 W incandescent/halogen 2000 W halogen 230 V <sub>~</sub> 1000 VA fluo - parallel compensated $\leq 100 \mu$ F 2000 VA compact fluorescent 500 W halogen lamp + ferromagnetic transformer 2000 W halogen lamp + electronic transformer - Specially suited to energy saving lamps 1000 W
1	0 497 83	<b>Automatic staircase time-lag switch for wall mounting 230 V - 50 Hz</b> Switches a lighting circuit during a determined period Controlled by illuminated push-button 50 mA max 3 wire connection Output : 1 contact Contact rating 10 A - 250 V <sub>~</sub> - $\cos \varphi = 1$ Type of delay adjustable Electronic 0.5 to 10 min.

Number of modules  
1

Number of modules  
1

Pack	Cat.Nos	Power contactors with 230 V <sub>~</sub> coil and handle
1	4 125 48 <sup>1</sup>	Manual override for test and repair function, carried out via the handle Permanent "ON" or "OFF" without automatic closing of the contactor  <b>2-pole - 250 V<sub>~</sub></b> 63 A
1	4 125 57 <sup>1</sup>	<b>4-pole - 400 V<sub>~</sub></b> 63 A



1: Handle can be accessed after removing blanking plate



## Modular power contactors without handle CX<sup>3</sup> 25 A

## EMDX<sup>3</sup> multi-function measuring unit Rail mounting



412524



412536



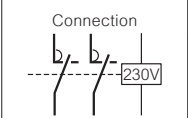
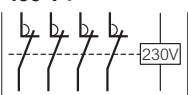
4 120 51



412107

Conform to IEC/EN 61095  
 Space for power supply busbar on top (up to 25A)

Conform to standards:  
 - IEC 61557-12  
 - IEC 62053-22  
 - IEC 62053-23 class 1

Pack	Cat.Nos	Power contactors with 230 V <sub>~</sub> coil
1	4 125 24	<b>2-pole - 250 V<sub>~</sub></b> I max 25 A  Connection Type of contact 2 N/C Number of modules 1
1	4 125 36	<b>4-pole - 400 V<sub>~</sub></b> 25 A  Connection Type of contact 4 N/C Number of modules 2

Pack	Cat.Nos	EMDX <sup>3</sup> modular
1	4 120 51	<b>Multi-function measuring unit with active digital inputs and programmable alarms</b> For mounting on rail Width: 4 modules <ul style="list-style-type: none"> <li>• LCD display</li> <li>• Precision class: 0.5</li> <li>• Connection with current transformers (CT)</li> <li>• Measurement of currents, voltages, frequency, active, reactive and apparent power, power factor, active and reactive energy</li> <li>• 4 tariff metering:               <ul style="list-style-type: none"> <li>• THD voltages, currents and harmonic analysis up to order 25 (available on Modbus COM port)</li> <li>• Programmable alarms on all functions</li> <li>• RS 485 and pulse output</li> </ul> </li> </ul>
1	4 121 07	<b>Single-phase solid core current transformers</b> Used with ammeters, electricity meters or multi-function measuring units Transformation ratio 250/5 Output (VA) 5







**Legrand Australia**

Building 4 Nexus Industry Park  
43-47 Lyn Pde Prestons NSW 2170  
1300 369 777  
[www.legrand.com.au](http://www.legrand.com.au)



11\_2020 LEG2957

Disclaimer: The information provided in this document is intended for informational purposes only. It has been prepared and reviewed with all reasonable care and is believed to be correct at the time of printing. Legrand Australia may also make improvements and/or changes to the products, pricing and/or programs described in this brochure at any time without notice.